



Resource Limited Design

1.00
03_18_15

But the point of all this is not to talk shit on Kremer—who has bettered the world more with his career than I ever have with mine—or to dismantle his deworming charity, or to advocate that we should all go back to giving out free textbooks. What I want to talk shit on is the paradigm of the Big Idea—that once we identify the correct one, we can simply unfurl it on the entire developing world like a picnic blanket.

Stop Trying to Save the World
Big ideas are destroying international development

Michael Hobbes

New Republic 11/17/14



3

Half Works



4

Unintended Consequences

Copyright Uriel Sinai



Doesn't Work



5

<http://bit.ly/1xgFejz>



6

Communication



7

Deforestation



8

Pito Brewery



9

Tweak Design



10



DB

Esther's Brewery 2010

Old and New - CU Stove III



11

Esther's Brewery 2014

Pito Stove Timeline

- First build July 2007 - stove uses 50% less wood than traditional
- Prototypes 2008 - 2010
- Fourth installation 2014
- Still operational March 2015
- Moral
 - Something obvious to an outsider not necessarily of same local importance





13

Water Supplies



14

No Smiles?



15

Severe Dental Fluorosis





16

The Solution

Adoption Problems

- District Assembly never moved forwards
 - Great Community/NGO Interest
 - Sustainable Solution
 - Immediately Available
 - Low-Cost
- Why not?
 - Does not come in shiny box?
- 03/15 - no change



Frame Changers

#107

by Khanjan Mehta

©2014



Art by Jabez Issa

“A two-day workshop will be a \$500 sitting fee and \$300 travel allowance.”



19

Traditional House



Not for Today?



20



21

What Everyone Wants



22

Gando Primary School - Francis Kéré

<http://bit.ly/1CxNjCB>



23



Learning the Art



CU House



24

JC



25

Living in the Dark



26

Too Much Light



27

Fantilla

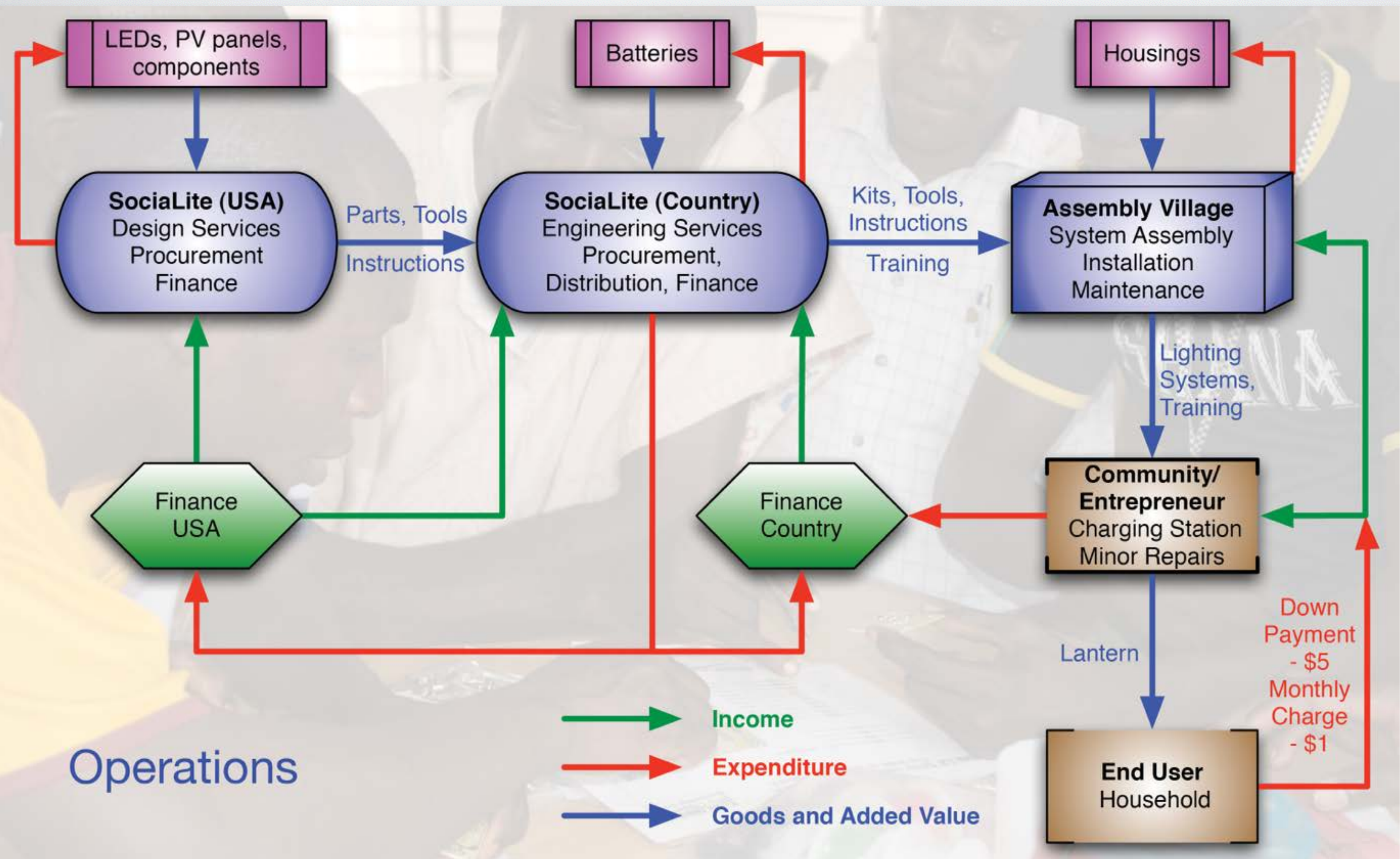


28

Community Meetings



Socialite Lighting System



Operations





Intergenerational Poverty



Copyright Matteo Ferroni

Foroba Yelen

Collective Light for
rural Mali

Matteo Ferroni



Headlamp

Light for rural
medical attendees

Open Source

Amanda DelCore





35

Emergency Shelter

Copyright Brendan Bannon



36

UNHCR Dadaab - Kenya

Copyright Brendan Bannon

1 **DOMES CONSTRUCTION : ORDER OF ASSEMBLY**

RAMESSES The Reuse of Available Material,
Energy, Structures and Supplies for Emergency Shelter

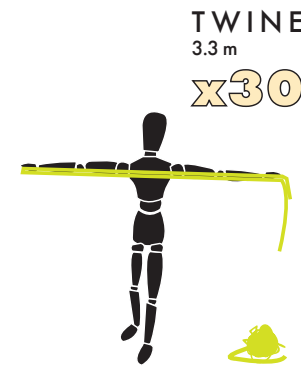
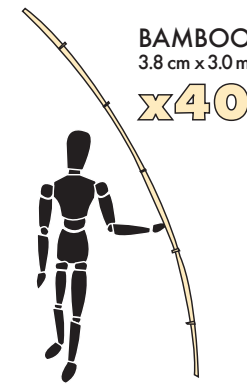
1

DOMES CONSTRUCTION
The Reuse of Available Material,
Energy, Structures and Supplies for Emergency Shelter

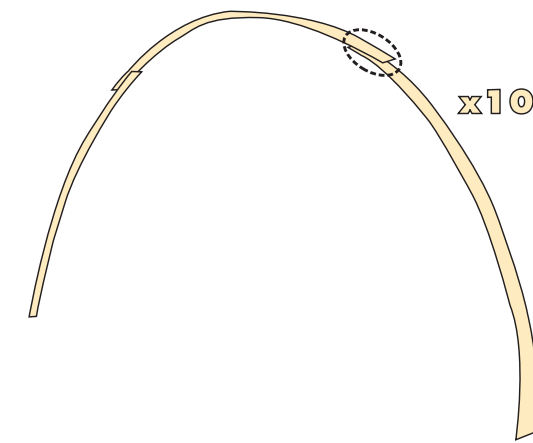


RAMESSES

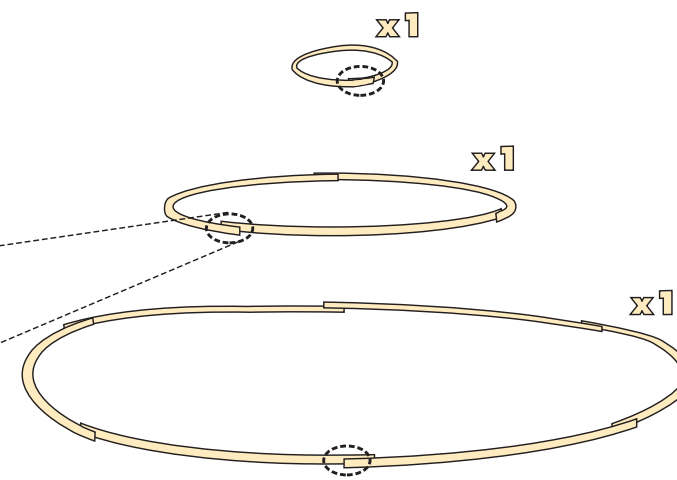
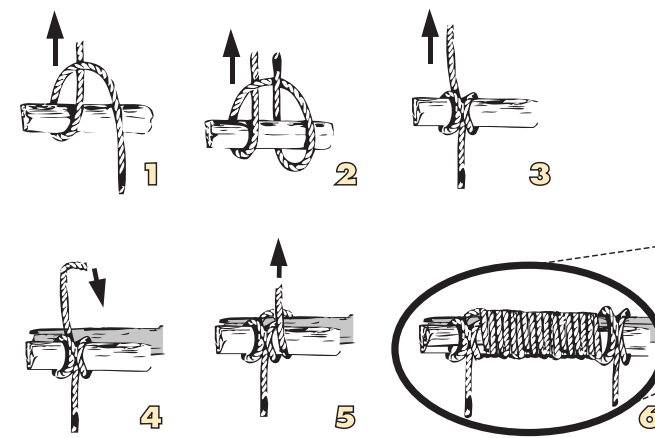
materials



assembling the parts

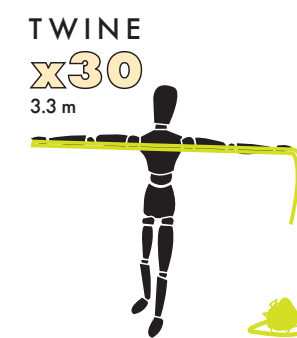
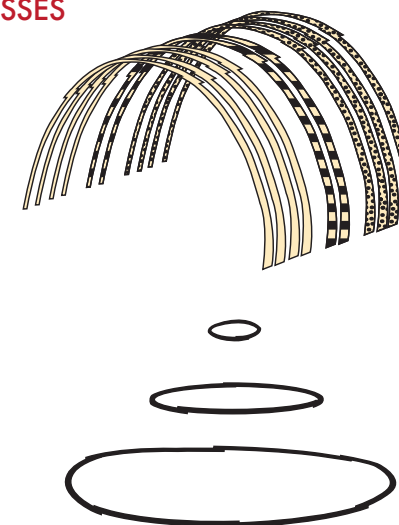


round lashing

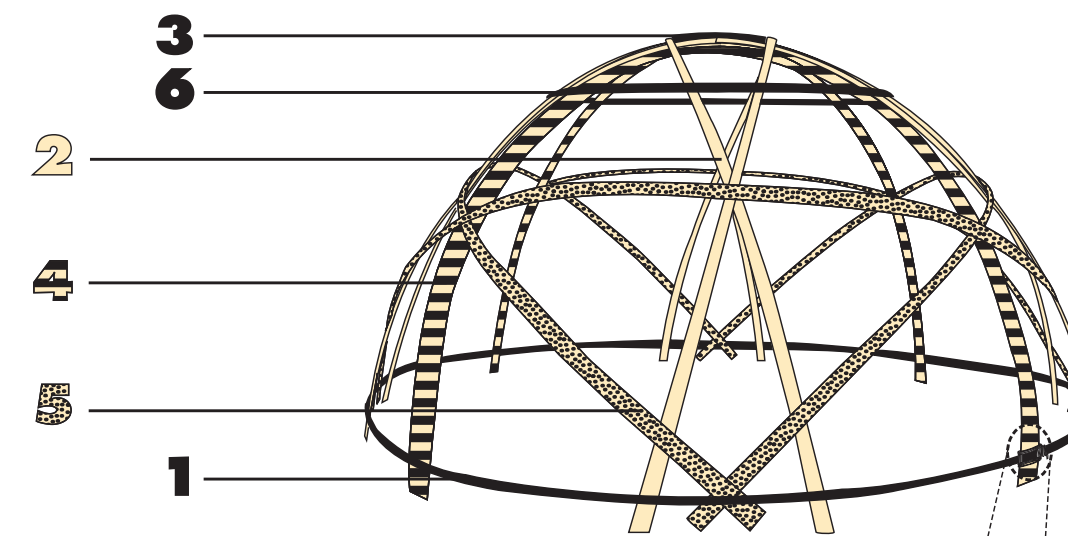


2
RAMESSES

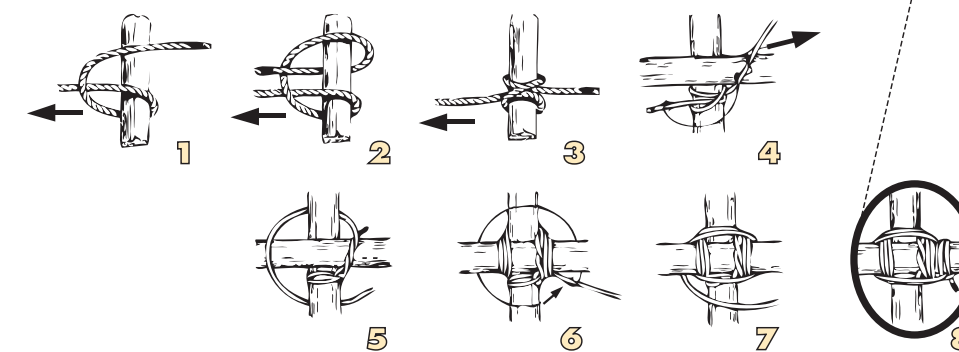
parts



order of assembly



square lashing





38

UNHCR Mentao - Burkina Faso

39



Field Trials



40

RAMESSES I

41



RAMESSES 2.5

Frame Changers

#118

by Khanjan Mehta

©2014

Art by Jabez Issa



“Here - use this app to track down your goat.”